

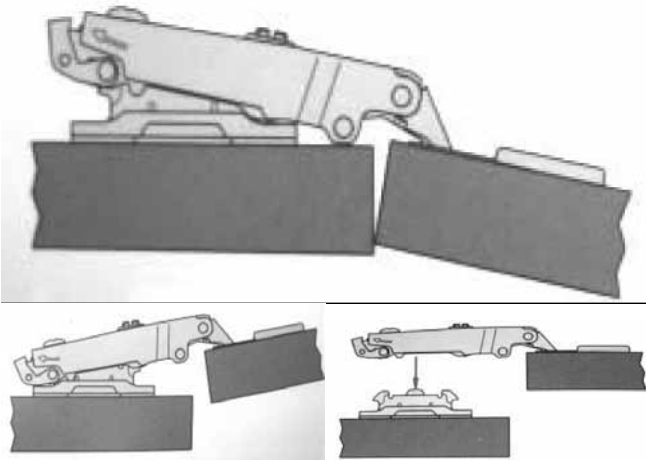


FERRARI

Hinges and Drawer Slides

FERRARI

Four features that allow for faster, easier, and more efficient door installation!



ANYWAY CLIP SYSTEM

A European hinge & baseplate system with an easy & safe release system. Mount the hinge from 3 different angles: front-to-back, back-to-front or even straight on! AnyWay system is the easiest clip-on system to install on the market. No more fighting with tall doors that require more than two straight-on hinges. All the other competitors feature hinges that can ONLY be mounted front-to-back. The AnyWay Clip system makes it almost TOO easy!



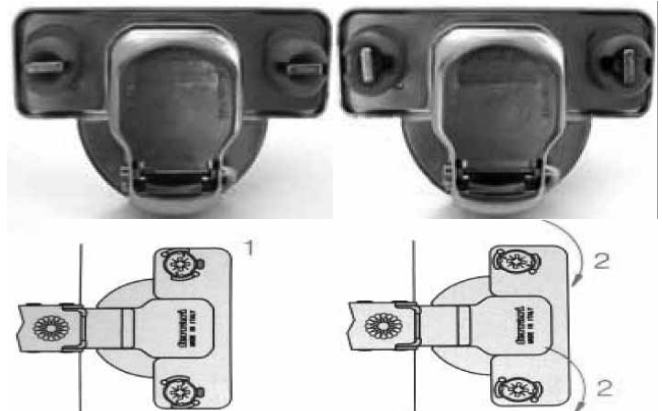
REVERSIBLE BASEPLATE

AnyWay Clip system features a symmetrical, reversible plate system that allows the person installing to mount the plate without straining to see the tiny directional arrow on the “other” plates in the market. With the AnyWay clip mounting plate, it is **impossible** to mount the baseplate backwards...because there is NO wrong way! The Reversible Plate System makes it almost TOO easy!



PILOT CAM, ANYWAY BASEPLATE

The Pilot is a symmetrical, reversible mounting plate with patented cam system for door height adjustment. The doors are able to be vertically adjusted to be perfectly parallel. Side cams may tend to create more of a “half-moon” motion. The Pilot Cam eliminates this variable from your equation for the “perfect adjustment”. The Pilot Cam ensures perfect door strength in any position and prevents any door sag. Once the adjustment is made, the hinge and mounting plate will remain along the same axis. The Pilot Cam will assist you w/ a PERFECT up-down adjustment, w/out compromising strength!



“SPEED” EXPANSION DOWELS

Rotate the screws 90° after hinge insertion to expand “SPEED” dowel. Absolute ease in assembling and disassembling. Total safety. Higher strength. Less risk of surface damage. Reduction of costs and packing volumes. Logistic simplification. The 10mm expansion dowels assure a perfect strength with all types of materials. Dowels expand where material is most solid. To demount simply turn eccentric screw (counterclockwise) 90° and remove door from hinge-cup. Dowel remains secured to cup, unlike most dowels which remain in cabinet door. The SPEED system drastically reduces time spent on assembling your cabinets!

FERRARI

Four features that allow for faster, easier, and more efficient door installation!

HINGES (CLIP-ON)

110° AnyWay	48
125° AnyWay	48
95° Thick-Door, AnyWay	49
170° Zero Protrusion, AnyWay	49
95° +45° Diagonal, AnyWay	50
95° Blind-Corner, AnyWay	50
50° Pie-Cut Corner, AnyWay	50
Harmony “Soft-Close” Hinge and Baseplates	51
95° Glass Door, AnyWay	63
Clip-On Hinges	53

BASEPLATES (CLIP-ON)

Pilot-Cam, AnyWay	52
Face-Frame Adaptor, AnyWay	53

FACE FRAME HINGES (1-PIECE)

Compacta: 6-Way Adjustment	54
Compacta: 2-Way Adjustment	55
Compacta: 6-Way Adjustment (Slide-On)	55

DRAWER SLIDES

Undermount Soft-Close Slides	57
Ball-Bearing Slides	58
Epoxy Slides	58
Metal Drawer System	59

SPECIALTY ITEMS

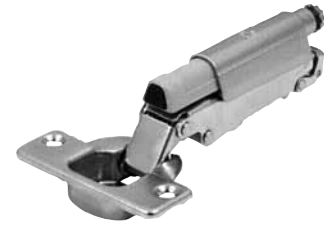
KLOK: Joint Stay (mechanical door lift)	56
MAGIC:Touch Latch, Automatic Door Opener	60
SOFTECH: Soft-Closing Door System	61
AKROBAT: Lift & Drop Down Mechanism	61
PARROT CLIPS: Shelf Supports	61
EASY-LINE HINGES: 90° Opening	61

MISCELLANEOUS

Cover Caps: Plates & Hinge Arms	62
Screws & Dowels	62
Face Plates	63
Retainer Rings & Screws	63
Pneumatic Hinge Drilling & Insertion Machine	64
Insertion Rams	64

110° AnyWay Clip

91 Series. European style hinges. 35mm diameter cup. Maximum door thickness: 23mm (7/8"). 11.5mm cup depth. Popular 45mm dowel-screw hole centers. 8mm diameter dowels on doweled versions for automatic insertion. 10mm diameter expandable dowels on "SPEED" dowel version.

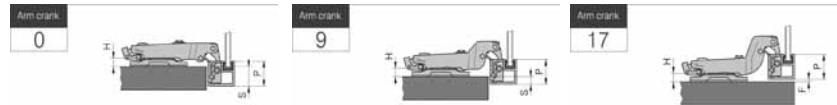


Soft close mechanism **NOW** available for this style of hinge

Call office for current pricing

ADJUSTMENT (6-Way): 3mm to 5mm cup drilling distance range. -4mm / + 0.5mm horizontal adjustment range. -0.5mm / +2.5mm depth eccentric cam adjustment range. Maximum overlay 18.5mm (3/4").

SCREWS: # 6 Flat-Head (hinge cup screws) 100pc's per box. Screws sold separately for woodscrew version cups.



I.P. Item #	Overlay	Crank	Closing	Version	Constant	Box \$	Pc \$
6H91079A	full	0	self-close	wood screw	17mm		
6H91079B	half	9	self-close	wood screw	8mm		
6H91079C	inset	17	self-close	wood screw	0mm		
6H91218A	full	0	free-swinging	wood screw	17mm		
6H91218B	half	9	free-swinging	wood screw	8mm		
6H91218C	inset	17	free-swinging	wood screw	0mm		
6H91081A	full	0	self-close	8mm dowel	17mm		
6H91081B	half	9	self-close	8mm dowel	8mm		
6H91081C	inset	17	self-close	8mm dowel	0mm		
6H91220A	full	0	free-swinging	8mm dowel	17mm		
6H91220B	half	9	free-swinging	8mm dowel	8mm		
6H91220C	inset	17	free-swinging	8mm dowel	0mm		
6H91419A	full	0	self-close	"SPEED" 10mm dowel	17mm		
6H91419B	half	9	self-close	"SPEED" 10mm dowel	8mm		
6H91419C	inset	17	self-close	"SPEED" 10mm dowel	0mm		
6H91419H	5/8"	5	self-close	"SPEED" 10mm dowel	14mm		

125° AnyWay Clip

91 Series. European style hinges. 35mm diameter cup. Maximum door thickness: 22mm (7/8"). 12.1mm cup depth. Popular 45mm dowel-screw hole centers. 8mm diameter dowels on doweled versions for automatic insertion. 10mm diameter expandable dowels on "SPEED" dowel version.



ADJUSTMENT (6-Way): 3mm to 5mm cup drilling distance range. -4mm / + 0.5mm horizontal adjustment range. -0.5mm / +2.5mm depth eccentric cam adjustment range. Maximum overlay 18.5mm (3/4").

SCREWS: # 6 Flat-Head (hinge cup screws) 100 pc's per box. Screws sold separately for woodscrew version cups.

I.P. Item #	Overlay	Crank	Closing	Version	Constant	Box \$	Pc \$
6C91012A	full	0	self-close	wood screw	17mm		
6C91016A	full	0	self-close	8mm dowel	17mm		
6C91426A	full	0	self-close	"SPEED" 10mm dowel	17mm		

95° Thick Door, AnyWay Clip

91 Series. European style hinges. 40mm diameter cup. Maximum door thickness: 32mm (1-1/4"). 12mm cup depth. 52mm screw hole centers. Great for pocket door applications.

ADJUSTMENTS (6-Way): 4mm to 14mm cup drilling distance range. -4 / +0.5mm horizontal adjustment range. -0.5mm / +2.5mm depth eccentric cam adjustment range on "0", "9" and "17" crank models. Manual depth adjustment on "22" crank model. Maximum overlay 32.5 (1-1/4").

SCREWS: # 6 Flat Head (hinge cup screws) 50 pc's per box. Screws sold separately.



I.P. Item #	Overlay	Crank	Closing	Version	Constant	Box \$	Pc \$
6C91074A	full	0	self-close	wood screw	22mm		
6C91074B	half	9	self-close	wood screw	13mm		
6C91074C	inset	17	self-close	wood screw	5mm		

170° Zero Protrusion, AnyWay Clip

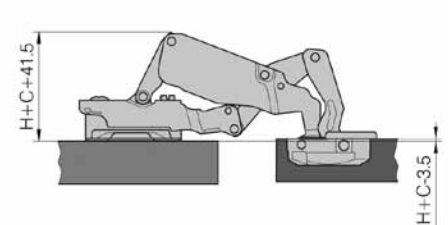
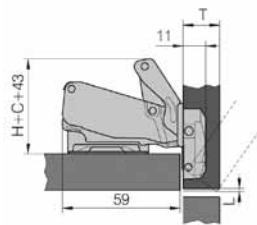
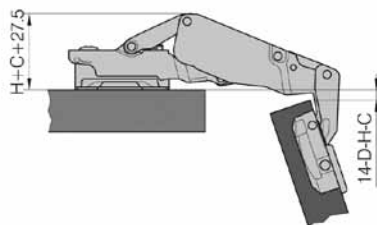
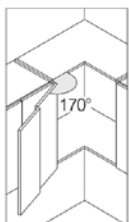
90 Series, European style hinges. 35mm diameter cup. Maximum door thickness: 24mm (15/16"). 11mm cup depth. Popular 45mm dowel-screw hole centers. 8mm diameter dowels on doweled versions for automatic insertion. 10mm diameter expandable dowels on "SPEED" dowel version.

ADJUSTMENTS (6-Way): 3mm to 7mm cup drilling distance range. -4mm / + 0.5mm horizontal adjustment range. -0.5mm / +2.5mm depth adjustment range. Maximum overlay 20.5mm (13/16"). 170° "0" protrusion at 90°.

SCREWS: # 6 Flat Head (hinge cup screws) 50 pc's per box. Screws sold separately.



I.P. Item #	Overlay	Crank	Closing	Version	Constant	Box \$	Pc \$
6C90300A	full	0	self-close	wood screw	17mm		
6C90300B	half	9	self-close	wood screw	8mm		
6C90300C	inset	17	self-close	wood screw	0mm		
6C90301A	full	0	self-close	8mm dowel	17mm		
6C90301B	half	9	self-close	8mm dowel	8mm		
6C90301C	inset	17	self-close	8mm dowel	0mm		
6C90422A	full	0	self-close	"SPEED" 10mm dowel	17mm		



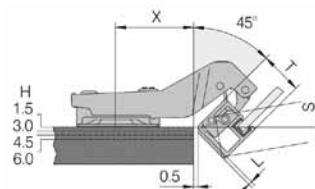
95° + 45° Diagonal, AnyWay Clip

90 Series. European style hinges. Available for 45° and 30° diagonal corner cabinet applications. Available with & without overlay. 35mm diameter cup. Maximum door thickness: 26mm (1"). 11mm cup depth. Popular 45mm dowel-screw hole centers. 8mm diameter dowels on doweled versions for automatic insertion. 10mm diameter expandable dowels on "SPEED" dowel version.

ADJUSTMENTS (6-Way): 4mm to 8mm cup drilling distance range. -4mm / + 0.5mm horizontal adjustment range. -0.5mm / + 2.5mm depth adjustment range.

SCREWS: # 6 Flat Head (hinge cup screws)

I.P. Item #	Overlay	Description	Closing	Version	Box \$	Pc \$
6H90078E	no	45° diagonal	self-close	wood screw		
6H90080E	no	45° diagonal	self-close	8mm dowel		
6H90418E	no	45° diagonal	self-close	"SPEED" 10mm dowel		



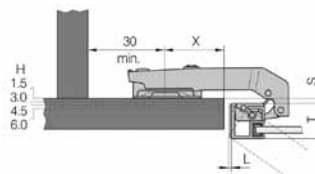
95° Blind Corner, AnyWay Clip

90 Series. European style hinges for blind corner cabinet applications. 35mm diameter cup. Maximum door thickness: 26mm (1"). 11mm cup depth. Popular 45mm dowel-screw hole centers. 8mm diameter dowels on doweled versions for automatic insertion. 10mm diameter expandable dowels on "SPEED" dowel version.

ADJUSTMENTS (6-Way): 4mm to 8mm cup drilling distance range. -4mm / + 0.5mm horizontal adjustment range. -0.5mm / + 2.5mm depth adjustment range.

SCREWS: # 6 Flat Head (hinge cup screws) 50 pc's per box. Screws sold separately.

I.P. Item #	Overlay	Description	Closing	Version	Stock	Box \$	Pc \$
6H90078	no	blind corner	self-close	wood screw			
6H90080	no	blind corner	self-close	8mm dowel			
6H90418	no	blind corner	self-close	"SPEED" 10mm dowel			



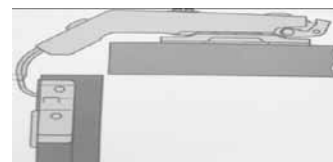
50° Pie-Cut Corner: Bi-Fold, AnyWay Clip

90 Series. European style hinges for pie cut corner (lazy susan corner base) cabinet applications. Use with 170° hinges and 4.5mm baseplate. 35mm diameter cup. Maximum door thickness: 26mm (1"). 10.2mm cup depth. Popular 45mm dowel-screw hole centers. 8mm diameter dowels on doweled versions for automatic insertion.

ADJUSTMENTS (6-Way): 3mm fixed cup drilling distance. -4mm / + 0.5mm horizontal adjustment range. -0.5mm / +2.5mm depth adjustment range and door gap adjustment.

SCREWS: # 6 Flat Head (hinge cup screws) 50 pc's per box. Screws sold separately.

I.P. Item #	Overlay	Description	Closing	Version	Box \$	Pc \$
6C90730	no	pie-cut corner	self-close	wood screw		
6C90731	no	pie-cut corner	self-close	8mm dowel		



Harmony “Soft-Close” Hinge

110° European hinge with integrated soft-close mechanism. Ferrari is setting the bar for the next generation of hinges. Hinge begins to soft-close when door reaches 45°. The soft-close damper is located under the arm of the hinge. No need to add additional soft-close pieces.

35mm diameter cup. Door thickness: 14mm (9/16”) to 24mm (15/16”). Cup depth: 11.6mm. Popular 45mm dowel-screw hole centers. 8mm diameter dowels on doweled versions for automatic insertion. Nickel-plated finish.

ADJUSTMENTS (6-Way): 3mm to 6mm cup drilling distance. Maximum Overlay: 18.5mm. Overlay adjustment: 1/-3.5mm. In/Out Adjustment +/- 1mm.

TESTED: BHMA 50,000 cycles

SCREWS: #6 Flat Head - 6V22616NX (compatible w/ hinge & baseplate) 200pc's per box. Screws sold separately for woodscrew version cups.

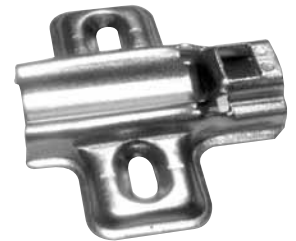


I.P. Item #	Overlay	Crank	Closing	Version	Box \$	Pc \$
6E21079A	full	0	soft-close	wood screw		
6E21079B	half	8	soft-close	wood screw		
6E21079C	inset	17	soft-close	wood screw		
6E21081A	full	0	soft-close	8mm dowel		
6E21081B	half	8	soft-close	8mm dowel		
6E21081C	inset	17	soft-close	8mm dowel		

Harmony Baseplate: Frameless

I.P. Item #	Height	Overlay	Cam	Version	Box \$	Pc \$
6E20B215000	0mm	18mm	yes(+/- 2mm)	wood screw		
6E20B215020	2mm	16mm	no	wood screw		
6E20B215040	4mm	14mm	no	wood screw		
6E20B217200	0mm	18mm	no	euro screw		
6E20B217220	2mm	16mm	no	euro screw		

*All frameless plates will be equipped with vertical adjustment cam in the coming months.



Harmony Baseplate: Face Frame Adaptor

I.P. Item #	Height	Overlay	Cam	Version	Box \$	Pc \$
6E20B078000	0mm	18mm	no	wood screw		
6E20B078030	3mm	15mm	no	wood screw		



Pilot Cam, AnyWay Clip Baseplate

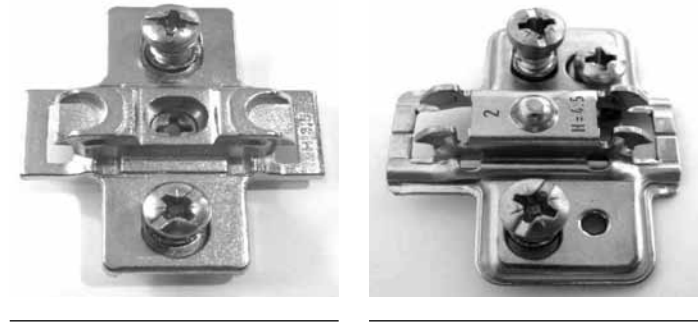
Reversible!!

90/91 Series. European style baseplates. 37mm x 32mm screw hole centers. AnyWay Clip's innovative reversible mounting plate allows attachment of the hinge to the mounting plate in virtually any angle. Allows faster door installation, particularly on tall doors requiring more than two hinges. All baseplates are symmetrical and reversible.

ADJUSTMENTS: +1.5mm / -1.5mm vertical eccentric cam adjustment range. Patented center cam allows for precision, vertical adjustment.

SCREWS: #6 or #7 Flat Head or #6 Pan Head (baseplate screws)

250 pc's per box. Woodscrews sold separately.



Zinc Die-Cast

Stamped Steel

Zinc Die-Cast

I.P. Item #	Height	Overlay	Screw	Version	Screws Attached	Box \$	Pc \$
6B2210ZG35	3.5mm	19mm	#6 flat head or #6 pan head	wood screw	no		
6B2210ZG45	4.5mm	18mm	#6 flat head or #6 pan head	wood screw	no		
6B2210ZG60	6mm	16mm	#6 flat head or #6 pan head	wood screw	no		
6B2150ZG35	3.5mm	19mm	#7 flat head or #6 pan head	euro screw	no		
6B2150ZG45	4.5mm	18mm	#7 flat head or #6 pan head	euro screw	no		
6B2150ZG60	6mm	16mm	#7 flat head or #6 pan head	euro screw	no		
6B2172ZG35	3.5mm	19mm	14mm euroscrew	euro screw	yes		
6B2172ZG45	4.5mm	18mm	14mm euroscrew	euro screw	yes		
*6B1370ZG12	12mm	10mm	#7 flat head or #6 pan head	wood screw	no		

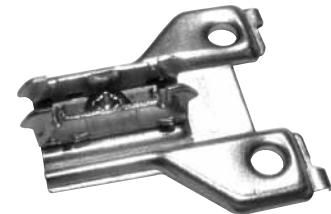
*does not have pilot cam

Stamped Steel

I.P. Item #	Height	Overlay	Screw	Version	Screws Attached	Box \$	Pc \$
6B4402MG45	4.5mm	18mm	pre-mounted wood screw	wood screw	yes		
6B4402MG60	6.0mm	16mm	pre-mounted wood screw	wood screw	yes		
6B4002MG45	4.5mm	18mm	14mm euroscrew	euro screw	yes		
6B4002MG60	6mm	16mm	14mm euroscrew	euro screw	yes		

Face Frame Adaptor: AnyWay Clip Baseplate

90/91 Series. European style baseplates. Can also be used on full European style cabinet construction. 10mm x 32mm screw hole centers. Wing plate design specifically for face-frame cabinet construction.



ADJUSTMENTS: +1.5mm / -1.5mm vertical adjustment range.

SCREWS: #6 or #7 Flat Head or #6 or #8 Pan Head (baseplate screws) 250 pc's per box.

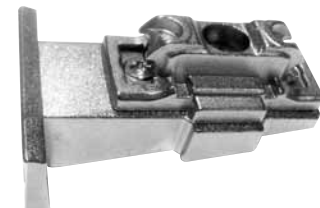
Screws sold separately.

I.P. Item #	Height	Overlay	Type	Version	Box \$	Pc \$
6B2980MG45	4.5mm	5/8"	zinc die-cast	wood screw		
6B2980MG80	8.0mm	1/2"	zinc die-cast	wood screw		

* Other overlays can be achieved by changing the hinge style (crank) and the cup drilling distance.

Inset Face Frame Adaptor: AnyWay Baseplate

90/91 Series. European style baseplates. Can also be used on full European style cabinet construction. 10mm x 32mm screw hole centers. Wing plate design specifically for face-frame cabinet construction.



ADJUSTMENTS: +1.5mm / -1.5mm vertical adjustment range.

SCREWS: #8 Pan Head – 6V20816ZX. 100pc's per box. Screws sold separately.

I.P. Item #	Overlay	Door Thickness	Type	Version	Box \$	Pc \$
6B3810ZG45	inset	5/8"	zinc die-cast	wood screw		

Clip-On Hinges

Eco Series. European style hinges. 35mm diameter cup. Maximum door thickness: 26mm (1"). 11.3mm cup depth. Popular 45mm dowel-screw hole centers. 8mm diameter dowels on doweled versions for automatic insertion.



ADJUSTMENTS (6-WAY): 3mm to 6mm cup drilling distance range. -4mm horizontal adjustment.

+2.5mm depth adjustment. Maximum overlay (3/4")

SCREWS: #6 Flat Head - 6V22616NX. 200pc's per box. Woodscrews sold separately.

I.P. Item #	Overlay	° Opening	Closing	Version	Constant	Box \$	Pc \$
6E90079A	full	110	self-close	wood screw	13mm		
6E90081A	full	110	self-close	8mm dowel	13mm		
6E90419A	full	110	self-close	"SPEED" 8mm dowel	13mm		

Clip-On Baseplate w/ Cam

Eco Series. European style baseplates. 37mm x 32mm screw hole centers. Stamped Steel.



ADJUSTMENTS: +1.5mm / -1.5mm vertical eccentric cam adjustment range.

SCREWS: #6 Flat Head - 6V22616NX. 400pc's per box. Woodscrews sold separately.

I.P. Item #	Height	Overlay	Screws Attached	Version	Box \$	Pc \$
6EB0780ZG00	0mm	19mm	no	wood screw		
6EB2150MG20	2mm	16mm	no	wood screw		
6EB2150MG40	4mm	12mm	no	wood screw		
6EB2172MG00	0mm	19mm	yes	euro screw		
6EB2172MG20	2mm	16mm	yes	euro screw		
6EB2172MG40	4mm	12mm	yes	euro screw		

Face Frame: 6-Way Adjustment (1pc)

ET60 & ET86 Series. Face Frame European Style hinges. One piece design. 35mm diameter cup. 10.5mm cup depth. Popular 45mm dowel-screw hole centers. 8mm diameter dowels on doweled versions for automatic insertion. Door thickness range from 9/16" to 1". 3/4" maximum material (frame) thickness on 4-tab version baseplates.



ADJUSTMENTS (6-Way): 3mm fixed cup drilling distance. +/- 3mm vertical adjustment range. +/- 1.5mm horizontal adjustment range. +/- 1.5mm depth eccentric cam adjustment range.

SCREWS: #6 Flat Head (hinge cup screws); #6 or #8 Pan Head or #7 Flat Head (base plate screws) 350 (ET60) & 300 (ET86) pc's per box. Woodscrews sold separately.

I.P. Item #	Overlay	° Opening	Closing	Version	Screws Attached	Box \$	Pc \$
6ET607112	1/2"	105°	self-close	wood screw	no		
6ET607142	1/2"	105°	self-close	8mm dowel	yes		
6ET607110	3/4"	105°	self-close	wood screw	no		
6ET607140	3/4"	105°	self-close	8mm dowel	yes		
6ET87211	1-1/4"	110°	self-close	wood screw	no		
6ET87241	1-1/4"	110°	self-close	8mm dowel	yes		
6ET87113	1-3/8"	110°	self-close	wood screw	no		
6ET867143	1-3/8"	110°	self-close	8mm dowel	yes		
6ET87114	1-7/16"	110°	self-close	wood screw	no		
6ET867144	1-7/16"	110°	self-close	8mm dowel	yes		

Soft-Close Mechanism

Compatible with ET64 & ET87. Simply mount mechanism on hinge & rotate locking screw 180°.

100 pc's per box.



Full Frame



Frameless

I.P. Item #	Series	Description	Box \$	Pc \$
6DMF3G64	64 Series	Soft-close mechanism screws on F.F.		
6DMF3G87	87/88 Series	Soft-close mechanism screw on F.F.		
6DMR730A	91 Series	Soft-close mechanism snap on Frameless		
6DMR73176	41 Series	Soft-close mechanism snap on Frameless		

New Face Frame: 6-Way Adjustment (1pc)

I.P. Item #	Overlay	° Opening	Closing	Version	Screws Attached	Box \$	Pc \$
6ET647112	1/2"	105°	self-close	wood screw	no		
6ET647142	1/2"	105°	self-close	8mm dowel	yes		
6ET887111	1-1/4"	110°	self-close	wood screw	no		
6ET887141	1-1/4"	110°	self-close	8mm dowel	yes		

Compacta C60

I.P. Item #	Overlay	° Opening	Closing	Version	Screws Attached	Box \$	Pc \$
6C607112	1/2"	105°	self-close	wood screw	no		
6C607142	1/2"	105°	self-close	8mm dowel	yes		
6C607622	1/2"	105°	self-close	"SPEED" 8mm dowel	yes		



Compacta C85

I.P. Item #	Overlay	° Opening	Closing	Version	Screws Attached	Stock	Pc \$
6C857111	1-1/4"	105°	self-close	wood screw	no		
6C857141	1-1/4"	105°	self-close	8mm dowel	yes		
6C857621	1-1/4"	105°	self-close	"SPEED" 8mm dowel	yes		
6C857113	1-3/8"	105°	self-close	wood screw	no		



300 pc's per box.

Face Frame: 6-Way Adjustment (Slide-On)

E50 Series. European style slide-on hinges. Can be used on face frame or full European style construction. Great for applications made with minimal interior depth or wood framed glass doors. 35mm diameter cup. 10.5mm cup depth. Popular 45mm dowel-screw hole centers. 8mm diameter dowels on doweled versions for automatic insertion. Overlays ranging from 1/2" to 5/8". Packaged Pre-Assembled.

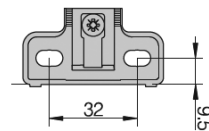


ADJUSTMENT (6-Way): 3mm to 5mm cup drilling distance range. +/- 2mm vertical adjustment range. -3mm horizontal adjustment range. +2.5mm depth adjustment range.

SCREWS: #6 Flat Head (hinge cup screws). #6 or #7 Flat Head (base plate screws)
200 pc's per box. Screws sold separately.

I.P. Item #	Overlay	° Opening	Closing	Version	Attached	Box \$	Pc \$
6E5007903	1/2"	110°	self-close	wood screw	no		
6E5008103	1/2"	110°	self-close	8mm dowel	yes		
6E5007901	5/8"	110°	self-close	wood screw	no		
6E5008101	5/8"	110°	self-close	8mm dowel	yes		

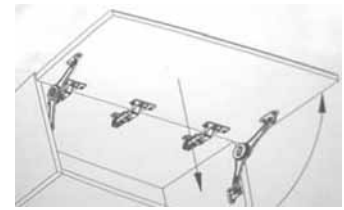
Inset Compact Slide-On Hinge



I.P. Item #	Description	Closing	Version	Box Qty	Box \$	Pc \$
6C500790GGN	110° slide-on hinge	self-close	wood screw	250		
6B6011ZG20E2	20mm base plate		wood screw	250		

KLOK: Joint Stay (mechanical door lift)

Flap is held at any angle. Precision mechanism to ensure light and smooth action. Adjust friction force with allen wrench according to the weight of the door. Quick, safe and simple mounting. Guaranteed durability. Totally unaffected by moisture.



Use in conjunction with Ferrari Free-Swinging or self-closing, "AnyWay Clip" hinge & baseplate products. 25 pc's per box for KLOK. 25 pc's per box for XL KLOK.

I.P. Item #	Product	Application	Handed	Box \$	Pc \$
6LE1GC00K274	KLOK	stay closed, flip-down door non-handed	yes		
6LE1GC00K276	KLOK	stay open, flip-up door	non-handed		
6LEFGC00K276	KLOK	small, reversible	non-handed		
6LP1GC51L	XL KLOK	stay open, flip-up door	right-handed		
6LP1GC52L	XL KLOK	stay open, flip-up door	left-handed		

KLOK

	4 lb.		7 lb.		9 lb.		11 lb.		13 lb.		15 lb.		18 lb.	
	M	A	M	A	M	A	M	A	M	A	M	A	M	A
12:	1	1	1	1	1	1	1	2	1	2	1	2	1	2
14"	1	1	1	1	1	2	1	2	1	2	1	-	1	-
16"	1	1	1	1	1	2	1	2	1	2	1	-	1	-
18"	1	1	1	2	1	2	1	2	1	-	1	-	2	-
20"	1	1	1	2	1	2	1	-	1	-	2	-	2	-
22"	1	1	1	2	1	2	1	-	2	-	2	-	2	-
24"	1	1	1	2	1	2	1	-	2	-	2	-	2	-
26"	1	2	1	2	1	-	2	-	2	-	2	-	2	-
28"	1	2	1	2	1	-	2	-	2	-	2	-	2	-

M = Keep the door at 'Maximum opening angle. A = Keep the door in 'Any position

'XL' KLOK

	11 LB	13 LB.	15 LB	18 LB	20 LB	22 LB	22 LB	24 LB	26 LB
12"		1	1	1	2	2	2	2	2
14"		1	1	2	2	2	2	2	2
16"		1	1	2	2	2	2	2	2
18"		1	2	2	2	2	2	-	-
20"		2	2	2	2	2	-	-	-
22"		2	2	2	2	-	-	-	-
24"		2	2	2	-	-	-	-	-
28"		2	2	-	-	-	-	-	-

*This will allow you to keep the door in any position.

Undermount Soft-Close Slides

Full extension slides. Smooth & silent sliding motion. High stability mechanism. Vertical drawer adjustment. 75lb. load capacity.



SCREWS: #8 Pan Head – 6V20816ZX. 6 sets per box (slides). Screws sold separately.

I.P. Item #	Description	Box \$	Pc \$
6HCBAF305V6	12" Soft-Close Undermount Sides		
6HCBAF381V6	15" Soft-Close Undermount Sides		
6HCBAF381V6	18" Soft-Close Undermount Sides		
6HCBAF533V6	21" Soft-Close Undermount Sides		

Undermount Soft-Close Brackets

SCREWS: #8 Pan Head – 6V20816ZX. 100pc's per box (brackets). Screws sold separately.

I.P. Item #	Description	Box \$	Pc \$
6HRBDX	Rear Mount Left	Steel	
6HRBSX	Rear Mount Right	Steel	
6G280	Rear Mount Adjustable	Nylon	

UNDERMOUNT INSTRUCTIONS

1. Place fastening lever.
2. Fastening lever using appropriate screws.
3. Place slide.
4. Lock side into it's socket.
5. Pull white lever for vertical drawer adjustment.
6. Push lever to dismount.
7. Take off slide to complete dismantling.



Ball Bearing Drawer Slides: Full Extension

Precision ball bearing, zinc side-mount drawer slides, with guiding double tracks. 1/2" side clearance. Can be used on face frame or full full European style construction. Lever disconnect. Smooth opening & closing action. 100lb load capacity, non-handed. Height is 45mm.

SCREWS: #8 Modified Truss Head or Flat Head Euro Screw (drawer slide screws).

10 sets per box. Screws sold separately.



Standard

I.P. Item #	Description	Box \$	Pc \$
6BB250F	10" (250mm)		
6BB300F	12" (300mm)		
6BB350F	14" (350mm)		
6BB400F	16" (400mm)		
6BB450F	18" (450mm)		
6BB500F	20" (500mm)		
6BB550F	22" (550mm)		
6BB600F	24" (600mm)		
6BB650F	26" (650mm)		
6BB700F	28" (700mm)		



Soft-Close

I.P. Item #	Description	Box \$	Pc \$
6BBSC350	14" (350mm)		
6BBSC400	16" (400mm)		
6BBSC450	18" (450mm)		
6BBSC500	20" (500mm)		
6BBSC550	22" (550mm)		
6BBSC600	24" (600mm)		

Epoxy Coated Drawer Slides

European bottom mount drawer slides. 3/4 extension. 1/2" side clearance. Can be used on face frame or frameless construction. High quality nylon roller. Smooth self-closing action. White epoxy. 75lb load capacity.

SCREWS: #6 Flat Head or Flat Head Euro Screw (drawer slide screws) 20 sets per box (standard). 30 sets per box (Easy-Lift). Woodscrews sold separately.



Standard Epoxy Slide

I.P. Item #	Description	Box \$	Pc \$
6GS250	10" (250mm)		
6GS300	12" (300mm)		
6GS350	14" (350mm)		
6GS400	16" (400mm)		
6GS450	18" (450mm)		
6GS500	20" (500mm)		
6GS550	22" (550mm)		
6GS600	24" (600mm)		
6GF500	20" Full Extension		

Ball Bearing Back Brackets

I.P. Item #	Description	Stock	Pc \$
6G030C/R	non-handed (metal)		

240 pc's per box

Epoxy Back Brackets

I.P. Item #	Description	Box \$	Pc \$
6G023	Right Hand (plastic)		
6G024	Left Hand (plastic)		

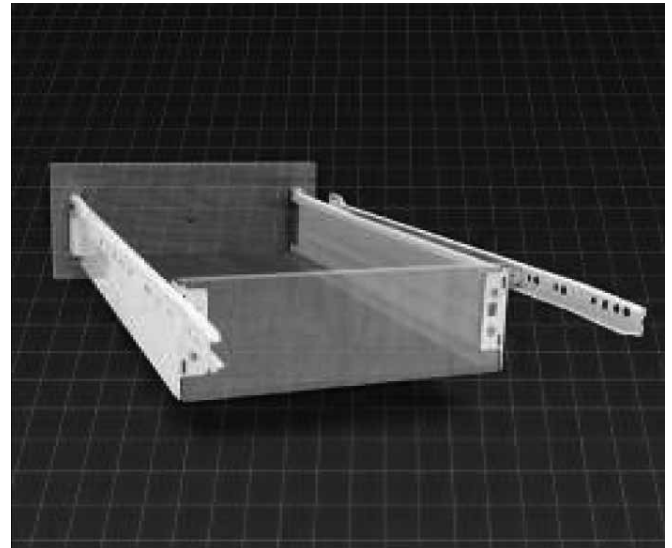
100 pc's per box. *Can be used on standard Epoxy brackets

3.2 mm = 1/8"	19 mm = 3/4"	450 mm = 18"	1 kg = 2.2 lbs
6.4 mm = 1/4"	20.6 mm = 13/16"	500 mm = 20"	5 kg = 11 lbs
8.5 mm = 1/3"	25.4 mm = 1"	550 mm = 22"	10 kg = 22 lbs
9.5 mm = 3/8"	250 mm = 10"	600 mm = 24"	15 kg = 33 lbs
12.7 mm = 1/2"	300 mm = 12"	650 mm = 26"	23 kg = 50 lbs
15.9 mm = 5/8"	350 mm = 14"	700 mm = 28"	46 kg = 101 lbs
17.5 mm = 11/16"	400 mm = 16"	750 mm = 30"	114 kg = 250 lbs

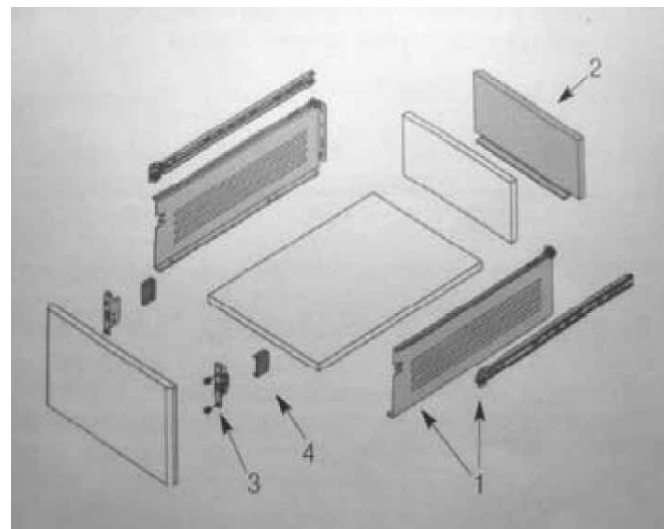
Metal Drawer System: “Simply White” Epoxy Coated

Ferrari “SIMPLY Ferrari White” epoxy coated metal drawer system can be used on face frame or frameless construction. High quality nylon roller. Smooth self closing action. Removable drawer fronts by use of front fixing brackets. 75lb load capacity.

SCREWS: #8 Modified Truss Head or Flat Head Euro Screw (drawer slide screws) 10 sets per box. Woodscrews sold separately.



I.P. Item #	Description	Box \$
6ZQ1V1V270	3-3/8" x 11" (86mm x 270mm)	
6ZQ1V1V300	3-3/8" x 12" (86mm x 300mm)	
6ZQ1V1V350	3-3/8" x 14" (86mm x 350mm)	
6ZQ1V1V400	3-3/8" x 16" (86mm x 400mm)	
6ZQ1V1V450	3-3/8" x 18" (86mm x 450mm)	
6ZQ1V1V500	3-3/8" x 20" (86mm x 500mm)	
6ZQ1V1V550	3-3/8" x 22" (86mm x 550mm)	
6ZQ1V1V600	3-3/8" x 24" (86mm x 600mm)	
6ZQ1V2V270	4-2/3" x 11" (118mm x 270mm)	
6ZQ1V2V300	4-2/3" x 12" (118mm x 300mm)	
6ZQ1V2V350	4-2/3" x 14" (118mm x 350mm)	
6ZQ1V2V400	4-2/3" x 16" (118mm x 400mm)	
6ZQ1V2V450	4-2/3" x 18" (118mm x 450mm)	
6ZQ1V2V500	4-2/3" x 20" (118mm x 500mm)	
6ZQ1V2V550	4-2/3" x 22" (118mm x 550mm)	
6ZQ1V2V600	4-2/3" x 24" (118mm x 600mm)	
6ZQ1V3V270	6" x 11" (150mm x 270mm)	
6ZQ1V3V300	6" x 12" (150mm x 300mm)	
6ZQ1V3V350	6" x 14" (150mm x 350mm)	
6ZQ1V3V500	6" x 20" (150mm x 500mm)	
6ZQ1V3V550	6" x 22" (150mm x 550mm)	
6ZQ1V3V600	6" x 24" (150mm x 600mm)	
6ZQ1V4V270	8" x 11" (200mm x 270mm)	
6ZQ1V4V300	8" x 12" (200mm x 300mm)	
6ZQ1V4V350	8" x 14" (200mm x 350mm)	
6ZQ1V4V400	8" x 16" (200mm x 400mm)	
6ZQ1V4V450	8" x 18" (200mm x 450mm)	
6ZQ1V4V500	8" x 20" (200mm x 500mm)	
6ZQ1V4V550	8" x 22" (200mm x 550mm)	
6ZQ1V4V600	8" x 24" (200mm x 600mm)	



Front Fixing Brackets & Cover Caps

I.P. Item #	Description	Version
6ZQ1RVD	RH Front Fixing Bracket	wood screw
6ZQ1RVS	LH Front Fixing Bracket	wood screw
6ZQ1RND	RH Front Fixing Bracket w/ cam adjustment	dowel
6ZQ1RNS	LH Front Fixing Bracket w/ cam adjustment	dowel
6ZQ1RNS	Cover Caps: Front Fixing Bracket - Ferrari White	
6ZQ1CR1	Simply White Cover Caps - Right	
6ZQ1CRK	Simply White Cover Caps - Left	

MAGIC: Touch Latch, Automatic Door Opener

This new system is composed of magnetic “push-pull” & “special hinges” with a self-opening spring for automatic opening & closing of doors with a simple touch. Fully concealed system. The height & weight of the door determines the required number of “Magic” hinges necessary. Add special “self-opening” hinges with a continuous & uniform movement to allow for automatic door opening. Touch latch opening and closing system. Grey color “Magic” mounting brackets, cartridges & latches. “Magic” cartridges & mounting brackets sold separately. “XL Magic” is a one piece magnetic latch. Use “Magic” hinges with all “Anyway-Clip” baseplates.



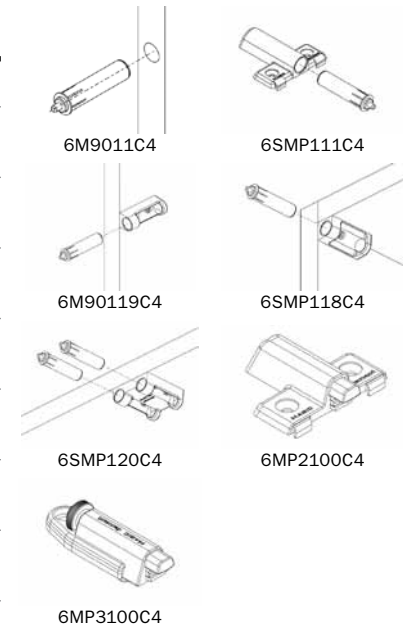
MAGIC:

Used for light and standard duty applications. Has recall force of 2.2 lbs

XL MAGIC:

Used for heavier duty applications. Has recall force of 3.3 lbs

I.P. Item #	Version	Part	Description	Qty
6M9110C4	magic	cartridge		50
6SMP111C4	magic	mounting bracket	single, face frame / frameless, edge mount	50
6SMP119C4	magic	mounting bracket	single, frameless, straight w/ frontal adjustment	
6SMP118C4	magic	mounting bracket	single, corner, frameless w/ frontal adjustment	
6SMP120C4	magic	mounting bracket	double door, frameless w/ frontal adjustment	50
6MP2100C4	XL magic	latch	single, face frame / frameless, edgemount	
6MP3100C4	XL magic	latch	single, frameless w/ frontal adjustment	
6MP1204G	both	strike plate	rectangular, PSA adhesive back, nickel	
6MP1205G	both	strike plate	round, PSA adhesive back, nickel	50
6MP1203G	both	strike plate	round, knock-in 8mm dowel, nickel	



MAGIC: Self-Opening Hinge

110° Opening, “Any-Way” Clip self-opening hinge to be used on the “Magic” & “XL Magic” system. 93 Series, European Style Hinges. 35mm cup depth. Maximum door thickness 7/8”. 11.5mm cup depth. Popular 45mm dowel-screw hole centers. 8mm dowels on doweled versions for automatic insertion. 6-way adjustment. Can use any of the “Any-Way” baseplates.

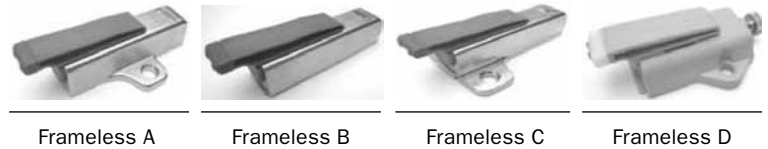
SCREWS: Hinge cup screws: #6 Flat Head.



I.P. Item #	Overlay	Constant	Closing	“Magic” Opening	Version
6H93079A	full	17mm	self-close	self-open	wood screw
6H93079B	half	8mm	self-close	self-open	wood screw
6H93079C	inset	0mm	self-close	self-open	wood screw
6H93081A	full	17mm	self-close	self-open	8mm dowel
6H93081B	half	8mm	self-close	self-open	8mm dowel
6H93081C	inset	0mm	self-close	self-open	8mm dowel

SOFTECH: Soft-Closing Door System

Low profile soft-closing door mechanisms. Can be used w/ all hinge applications. Apply to hinge side of doors. Mounting brackets included.



I.P. Item #	Construction	Description
6EKE0IL9PG	frameless-A	mechanism w/ mounting bracket
6EKE0IL9ZG	frameless-B	zinc die cast mechanism
6EKU0IL9PG	face frame-C	mechanism w/ mounting bracket
6EKFOILRP9	frameless-D	adjustable mechanism

AKROBAT: Lift & Drop Down Mechanism

Air shock door lift and drop down mechanism. Available in three weight capacities and two lengths for lift-up & drop down doors. Clip-on mounting brackets and mounting screws included.



I.P. Item #	Description	Length	Weight
6PGA243C06	Lift-Up	9-3/4"	12 lb.
6PGA243C08	Lift-Up	9-3/4"	16 lb.
6PGA243C10	Lift-Up	9-3/4"	20 lb.
6PGA276C06	Lift-Up	11"	12 lb.
6PGA276C08	Lift-Up	11"	16 lb.
6PGA276C10	Lift-Up	11"	20 lb.
6PGC243C04	Drop-Down	9-3/4"	8 lb.

Parrot Clips: Shelf Supports

Locking shelf support clips for glass & wood shelves. Adjustable to fit various material thickness. Soft rubber anti-skid cushion to secure shelf. Fast releasing w/ push button. 5mm pin. Nickel plated.

*100 pc's per box



I.P. Item #	Shelves	Material Thickness
6RG6853	glass	3/16" to 3/8"
6RG7153	wood	9/16" to 3/4"

Easy Line Hinge 90° Opening

Self closing. No bore hinge. Heavy duty spring holds hinge in closed and open positions. Great for keyboard tray drop down fronts and numerous specialty hinge applications.



SCREWS: #6 or #7 Flat Head or #6 or #8 Pan Head

*200 pc's per box. Woodscrews sold separately.

I.P. Item #	Description
6ES01/G	zinc plated

Cover Caps: Plates & Hinge Arms

Nickel plated steel cover caps. Sold Individually. Compatible with C90, C91, H90 & H91 hinges.

*Available with your company logo, call for details. Minimum qty's needed.

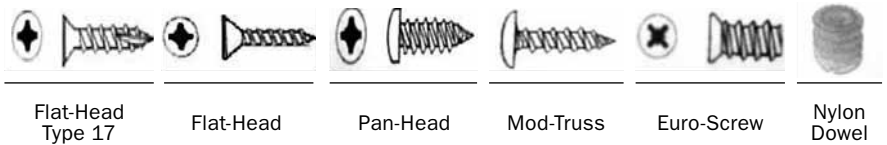
100pc's per box.



I.P. Item #	Description
6CB03	hinge cup cover cap for 95° & 110° hinges
6CC91G	hinge arm cover cap for 95°, 110° & 125° hinges

Screws & Dowels

Compatible with hinges, baseplates & drawer slides



I.P. Item #	Screw #	Head	Length	Drive	Thread	Plated	Version	Qty
6V226/13NX	#6	flat	1/2"	phillips	type 17 pt.	nickel	wood screw	1,000
6V506/13X	#6	flat	1/2"	phillips	type 17 pt.	nickel	wood screw	1,000
6V50612NB	#6	pan	1/2"	phillips	deep	nickel	wood screw	15,000 *
6V20816ZX	#8	pan	5/8"	phillips	deep	zinc	wood screw	1,000
6V20819ZX	#8	pan	3/4"	phillips	deep	zinc	wood screw	1,000
6V20825ZX	#8	pan	1"	phillips	deep	zinc	wood screw	1,000
6V22616NX	#6	flat	5/8"	phillips	type 17 pt	nickel	wood screw	1,000
6V22616NB	#6	flat	5/8"	phillips	type 17 pt	nickel	wood screw	30,000 *
6V22619NX	#6	flat	3/4"	phillips	type 17 pt	nickel	wood screw	1,000
6V22716NX	#7	flat	5/8"	phillips	type 17 pt	nickel	wood screw	1,000
6V22719NX	#7	flat	3/4"	phillips	type 17 pt	nickel	wood screw	1,000
6V22916NX	#7	flat	5/8"	pozi		nickel	wood screw	1,000
6V22811NX	#8	mod truss	7/16"	phillips		zinc	wood screw	1,000
6V22811NB	#8	mod truss	7/16"	phillips		zinc	wood screw	14,000 *
6V610NX	6.3mm flat	10mm		pozi	5mm	nickel	euro-screw	1,000
6V613NX	6.3mm flat	13mm		pozi	5mm	nickel	euro-screw	1,000
6V712GX	4.5mm flat	10mm		pozi		nickel	dowel screw	1,000
6NT21108B		10mm			8mm		nylon dowel	4,000 *
6NT2110B		10mm			10mm		nylon dowel	500

* Case quantity.

95° Glass Door, AnyWay Clip

90 Series. European style hinges glass door hinges. 26mm diameter cup. Glass thickness range: 3.5mm (1/8") to 6mm (1/4").

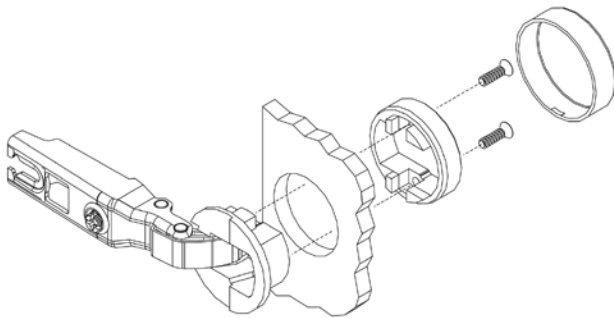
ADJUSTMENTS (6-Way): Maximum cup drilling distance: 7mm. -4mm / +0.5mm horizontal adjustment range. -0.5 / + 2.5mm depth adjustment range. Maximum overlay 11/16". Use with the "AnyWay Clip" baseplates. Face plates sold separately.

50 pc's per box. Retainer rings & retainer ring screws sold separately.



I.P. Item #	Overlay	Crank	Closing	Screws	Constant
6C90315H	full	3	self-close	n/a	14mm
6C90315B	half	9	self-close	n/a	8mm
6C90315C	inset	17	self-close	n/a	0mm

Face Plates



Mounting to glass door is obtained by means of a connecting ring that attaches to the hinge housing with two screws. The connecting ring and the screws are completely covered by an external face plate.

26mm Round

I.P. Item #	Description
6G226F	Black
6G2264	Chrome finish
6G226L	Gold finish



26mm Oblong

I.P. Item #	Description
6G227F	Black
6G2274	Chrome finish
6G227L	Gold finish



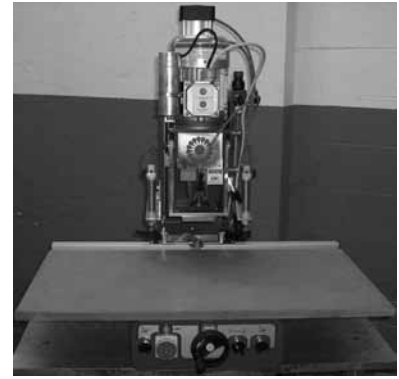
Retainer Rings & Screws

I.P. Item #	Description	Box Qty Stock
6GA26F	Retainer ring (1-needed per hinge)	10,000
6V220/G	Retainer ring screws (2-needed per hinge)	10,000

Pneumatic Hinge Drilling & Insertion Machine

RC Series from Ferrari America, is the fast, affordable & easy to use solution, which provides increased productivity in cabinet shops installing European style concealed hinges. Designed for precision, the RC Series automatically drills the three hole boring pattern required for Ferrari hinges, and then efficiently and securely inserts the hinge into the working piece.

Heavy duty pneumatic hinge machine. Available in 2 models. 1.5 Horse Power motor. 3-spindle drilling head (2-LH & 1-RH rotation). Pneumatic door hold downs. Adjustable back fence with easy to read numeric counter and hand crank. Adjustable drilling depth. Automatic sawdust blow-off. 2-tilt stops. Rear dust collection port. Boring bits (2-LH 8mm & 1-RH 35mm) w/ operation instructions included.



Dowel Bits: 8mm & 10mm.

*Hinge insertion rams sold separately.

RC Series Machine

I.P. Item #	Description
6RC214	110 Volt / 1-Phase
6RC213	220 Volt / 1-Phase

Insertion Rams

I.P. Item #	For Use With:
6D35F1	95° to 110° Italian Hinges
6D35F2	125° Italian Hinges
6D35F3	170° Italian Hinges
6D35F4	Face Frame Hinges
6D35H1	95° to 110° IC Hinges
6D35H3	170° IC Hinges

Multi-Spindle Line Boring Heads

I.P. Item #	For Use With:
6RCT07L32	7-spindle head (32mm spread)
6RCT11L32	11-spindle head (32mm spread)

Miscellaneous Hinge Insertion Rams

I.P. Item #	For Use With:
6DBL95110	Blum Mini-Press & Salice Red Baron Machines for 95° & 110° Any-Way Clip hinges
6DBL125	Blum Mini-Press & Salice Red Baron Machines for 125° Any-Way Clip hinges
6DBL180	Blum Mini-Press & Salice Red Baron Machines for 165° & 170° Any-Way Clip hinges
6DBL50	Blum Mini-Press & Salice Red Baron Machines for C50 hinges
6DBL60	Blum Mini-Press & Salice Red Baron Machines for C60, C80 & C85 face frame hinges

Boring Bits: 57mm x 10mm Diameter Shaft: Carbide

I.P. Item #	Diameter	Rotation
6DB01ZB0503	5mm	Left Hand
6DB01ZB0502	5mm	Right Hand
6DB01ZB0803	8mm	Left Hand
6DB01ZB1003	10mm	Left Hand
6DB01ZB2602	26mm	Right Hand
5FRD3557R	35mm	Right Hand
6DB01ZB4002	40mm	Right Hand

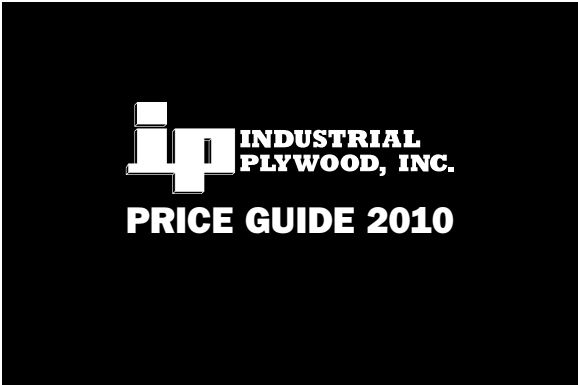
**ip INDUSTRIAL
PLYWOOD, INC.**
550 SOUTH 5TH ST.
READING, PA 19602

PRESORTED STANDARD
U.S. POSTAGE PAID
READING, PA
PERMIT NO. 39

Reading Division:

550 South 5th St.
Reading, PA 19602

(610) 376-3343
(800) 543-4416 – Toll-Free
(610) 376-2256 – Fax



Lewistown Division:

85 West Charles St.
Lewistown, PA 17044

(717) 242-9663
(800) 603-6019 – Toll-Free
(717) 242-2299 – Fax

